

防爆智慧型閥門比例定位器 (耐壓防爆)

TS900R/TS900L

TS905R/TS905L

台灣防爆證書見第三頁

Smart Valve Positioner

TS900/TS905 Series (Flame proof type)



Description

TS900 Smart Valve Positioner controls the valve stroke in response to an input signal of 4-20mA from the control panel, DCS, or calibrator.

Certified



IP66



SIL2



Features



標準：鋁合金體

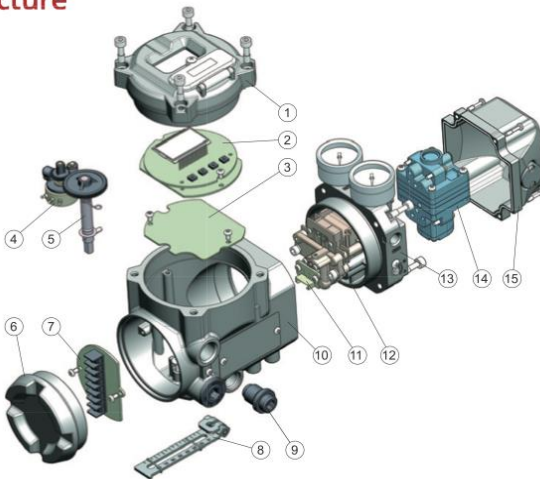
TS900



TS905 不銹鋼316體

- + Quick and easy auto calibration
- + Large flow pilot valve (Over than 100LPM)
- + Flapper / Nozzle type Torque motor
- + By-pass valve (A/M switch) installed
- + HART communication (HART 7)
- + Partial stroke test (PST) function
- + Alarm function (Option)
- + Advanced diagnostics (Option)

Structure



1. Body cover
2. Main PCB
3. PCB guide
4. Potentiometer
5. Main shaft
6. Junction box cover
7. Terminal PCB
8. Feedback lever
9. Drain plug
10. Base body
11. Pressure sensor(Optional)
12. Torque motor
13. Air connection block
14. Pilot valve
15. Pilot valve cover

www.autovalve.tw

TEL : 02-86483176 , FAX : 02-86475088



TS900R(旋轉型)
TS900L(直線型)

Smart Valve Positioner

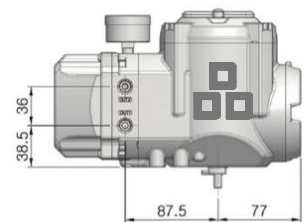
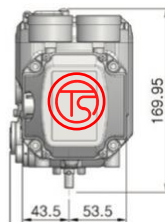
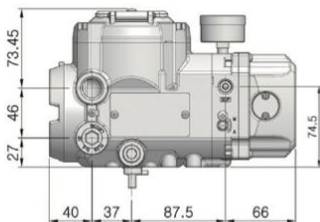
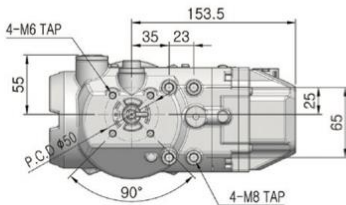
TS900/TS905 Series (Flame proof type)

Specifications

Model	TS900	TS905
Input signal	4~20mA DC	
Impedance	500Ω at 20mA DC	
Supply pressure	0.14~0.7MPa	
Stroke	10~150mm(Linear), 0~90°(Rotary)	
Air connection	NPT1/4, G1/4	
Gauge connection	NPT1/8	
Conduit	NPT1/2, M20	
Explosion proof type	II 2G Ex db IIC T5/T6 Gb II 2D Ex tb IIIC T85°C/T100 °C Db	
Enclosure	IP66 (EN60529)	
Ambient Temp.	Standard type	-30°C~80°C
	Low temp type	-40°C~80°C
	Explosion proof	-40°C~80°C(T5) / -40°C~70°C(T6)
	LCD operating	-30°C~85°C
Linearity	±0.5% F.S.	
Sensitivity	±0.2% F.S.	
Hysteresis	±0.5% F.S.	
Repeatability	±0.3% F.S.	
Air consumption	Below 2.3LPM (Sup=0.14MPa)	
Required air quality	Class 3 (ISO 8573-1)	
Flow capacity	Over 100LPM (Sup=0.14MPa)	
Material	Aluminum die cast	Stainless Steel 316
Weight	3.5kg	7.0kg
HART version*	HART 7	
Position transmitter*	Connection type	2 Wire
	Supply voltage	9~30V DC
Alarm switch*	9~30V DC	

* Options

Dimension [Unit:mm]



Product code

Model	TS9									
Option	Standard type	0								
	Natural gas type*	9								
Body material	Aluminum	0								
	Stainless steel 316	5								
Acting type	Linear (Potentiometer type)	L								
	Rotary (Potentiometer type)	R								
	Linear (Non-Contact Sensor)	S								
	Rotary (Non-Contact Sensor)	Q								
Explosion proof type	ATEX & IECEx	A								
	KCS	K								
	CCC, EAC	C								
	CSA/US	S								
Connection type	Conduit entry	Air connection	NPT1/2	NPT1/4	3					
			M20	NPT1/4	4					
	M20	G1/4			5					
Lever (Linear type)	10 ~ 70mm								1	
	70 ~ 150mm								2	
	For tubeless actuator (30mm)								3	
	For tubeless actuator (70mm)								4	
Lever (Rotary type)	M6 x 39L								1	
	NAMUR								5	
Ambient Temp.	-30°C~80°C									S
	-40°C~80°C									L
	-60°C~80°C (For EAC)									U
Communication	None									0
	Position transmitter(4~20mA)									1
	HART communication									2
	HART with Position transmitter(4~20mA)									3
	HART with Advanced diagnostics									4
	HART with Advanced diagnostics and Position transmitter(4~20mA)									5
Alarm switch	None									0
	Included									A

* Natural gas type is only available with CSA and EAC.

www.autovalve.tw

TEL : 02-86483176 , FAX : 02-86475088

TS900系列 符合 勞動部核發之 台灣TS防爆證書 識別編號TD13001L
TS900系列為 韓國製造 (眾知 台灣 無生產 閥門定位器) 勞動部把關 產地現形

指定機械、設備或器具安全資訊網站申報
登錄完成通知書

Registration Document for the Declaration and Registration scheme
of the required machinery, equipment and tools

登錄完成通知書號碼：ML131100702G16



Document No.

茲據職業安全衛生法第七條第三項規定辦理安全資訊申報，經確認符合規定，
准予登錄並使用安全標示 (S) 及識別號碼：TD13001L。其登錄事項如下：

The document made under Paragraph 3 in Article 7 of the Occupational Safety and Health Act has been reviewed and found to be in compliance with related regulations. Therefore, registration is granted with the Safety Label (S) and the Identification No. TD13001L. Details of the registration are as follows:

申請人：品青閥業有限公司
Application

統一編號：53086688
Uniform No.

地址：臺北市松山區八德路二段374號7F-6
Address

生產廠場/廠址：
Factory/Factory address

廠場項次 Factory Items	生產廠場 Factory	廠址 Factory Address	國別代碼 Country Code
1	Tissin Co., Ltd.	201-1105, No 397, Seokcheon-ro, Bucheon-Si, Gyeonggi-do, Korea	KR

產品種類名稱：防爆電氣設備

Type/ name of product

貨品分類號列：84819090004

C. C. C. Code

中文名稱：防爆智慧型閥門定位器

Chinese name

英文名稱：Smart Valve Positioner

English name

型式：TS900

Type

主型式序號：

Type number

系列型式：如附錄

Series of the type

依據標準：

Safety standards

廠場項次 Factory Items	驗證方式	標準
-----------------------	------	----

www.autovalve.tw

TEL : 02-86483176 , FAX : 02-86475088